



Citadel 2 with lineal ribbed diffuser



Citadel 2 with deep frosted lens

### Description

Citadel 2 is an easy to assemble, versatile, weatherproof lighting solution for fluorescent and LED systems.

### Applications

- Low bay
- Exterior retail areas
- Garages
- Canopy
- Livestock containment
- Breweries & bottling facilities
- Chicken sheds
- Mushroom Farms
- Food processing facilities
- Refrigerated storage
- Marinas & offshore
- Garden centres

### Benefits

- GRP (Glass Reinforced Polyester) body
- Poured in place gasket seal the enclosures from most hostile environments
- Economical and time saving mounting system
- Designed for LED, T8 and T5 lamps
- Optically clear lens for energy efficiency and also frosted for glare reduction
- Standard with 316 Stainless Steel latches with vandal resistant screw
- Durable stainless steel mounting hardware.
- IP66 and Nema 4x certified.

### Colours

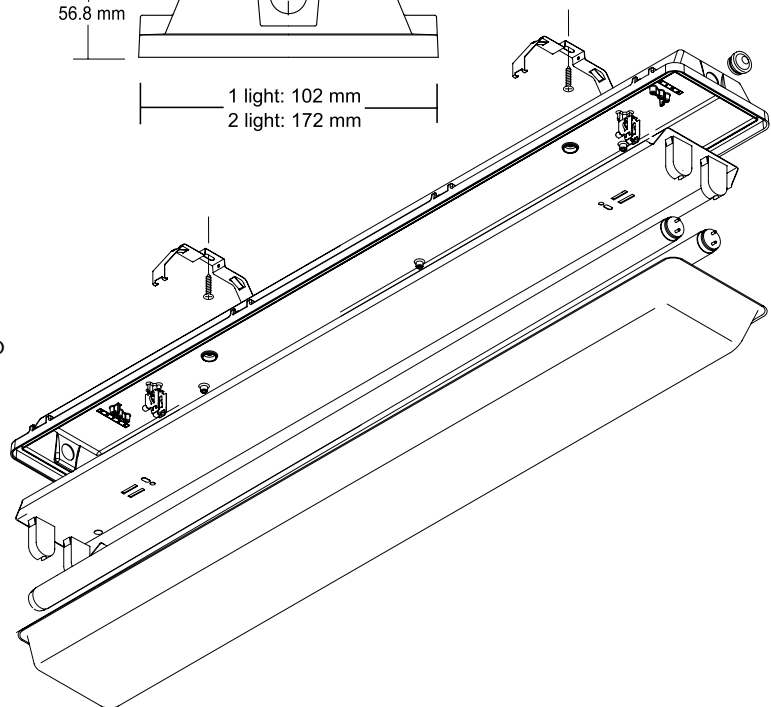
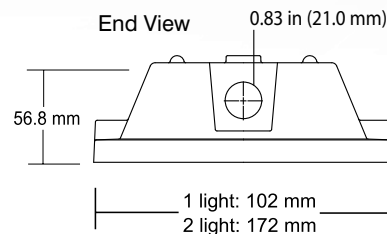
Clear & Frosted

### Dimensions

#### Lengths:

600mm and 1200mm

1 and 2 lamp width options

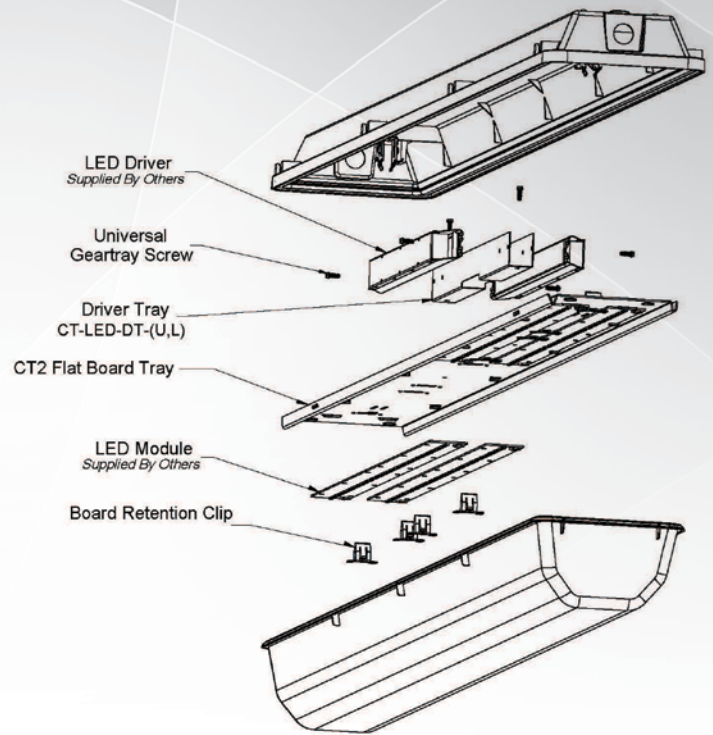


**Lenses and Diffusers**

- Reduces the images and glare of the LED light source
- High transmission for efficiencies
- Impact modified acrylic
- Polycarbonate
- 600mm and 1200mm lengths

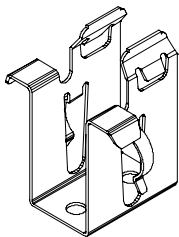
**Overall dimensions**

Housing		Nominal length	Width mm	Length mm	Depth mm
<b>Frosted lineal ribbed diffuser</b>	Narrow (1 light)	1200mm	115.5	1316	105
	Wide (2 lights)	600mm	186	703	105
		1200mm	186	1305	105
<b>Deep frosted lens</b>	Wide (2 lights)	600mm	186	703	143
		1200mm	186	1305	143

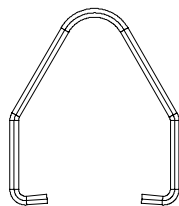


**Latch features**

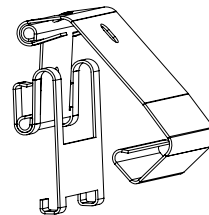
- Latches lock open during maintenance
- Captive keeper secures latch to housing preventing accidental loss
- Tamper resistant



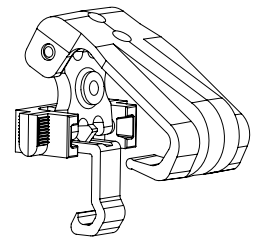
Retainer



Bail



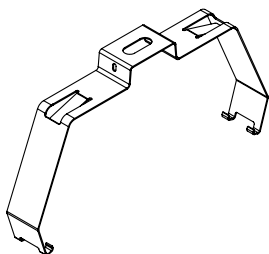
316 stainless steel latch



Plastic latch



Lens tether



**Simple mounting system**

- Bracket snaps onto housing and multiple places
- Reduces installation labour costs
- UL rated.



**Pendant mount**

- Punched mounting bracket available for special order
- Designed for 3/8" threaded rod.



**Options**

- Direct mount to ceiling or beam
- Pendant mount
- Chain hang or cable mount with or without optional bail.

